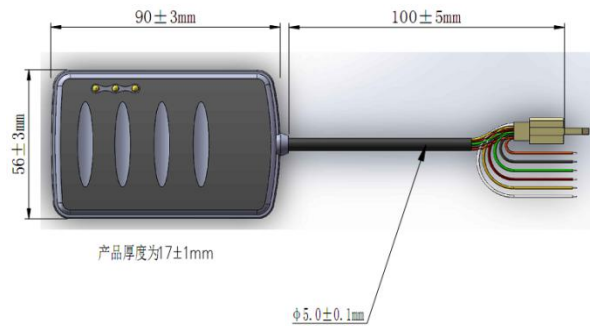


Product name

SD-203B2P_V4.1_123

Appearance



Specification

Location tracking	Timing monitoring	Blind patch
Alarm function	Collision warning	Displacement alarm
Remote control	Data transmission	SMS command
Power management	Power saving mode	Powerpolarity protection
positioning accuracy	10m(OPEN SKY)	
Transmitting power	≤33dBm±2dBm	
perating voltage range	9-100V	
SIZE	90mm×56mm×16mm	

Dimension (mm)

