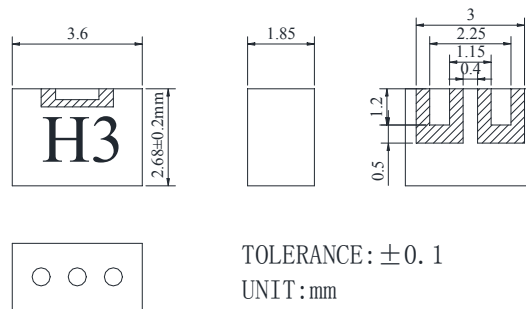


**Product****DFC5670G380A**

**Specification**

<b>Center Frequency[fo]</b>	5670.0MHz
<b>Bandwidth[BW]</b>	±190MHz
<b>Insertion Loss in BW</b>	1.5 dB max.
<b>Ripple in BW</b>	1.0 dB max.
<b>VSWR in BW</b>	1.9:1max.
<b>Attenuation [Absolute Value]</b>	25.0 min.@ 2400 to 2700 MHz 21.0 min.@ 5140 to 5340 MHz
<b>In/Out Impedance</b>	50Ω
<b>Input Power</b>	1 w max.
<b>Operation Temperature</b>	-40°C ~ +85 °C

**Dimension (mm)**



**TEST GRAPH**

