

Product:

G·Hn双工器

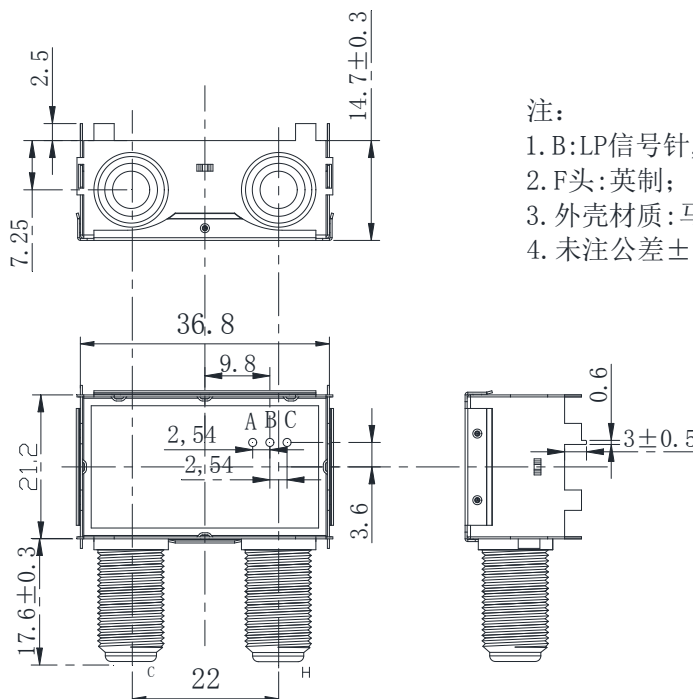
DIP-2YFP-85105 Appearance:



Specification

Low Pass Frequency	5~85MHz
High Pass Frequency	105~1002MHz
Insertion Loss	≤1.3 dB
Return Loss	≥18 dB
Stopband Attenuation	TYP:≥50 dB
Isolation	≥45 dB
In/output Impedance	75Ω

Dimension (mm)



注:

1. B:LP信号针, A、C: 接地针;
2. F头:英制;
3. 外壳材质:马口铁;
4. 未注公差±0.2mm。