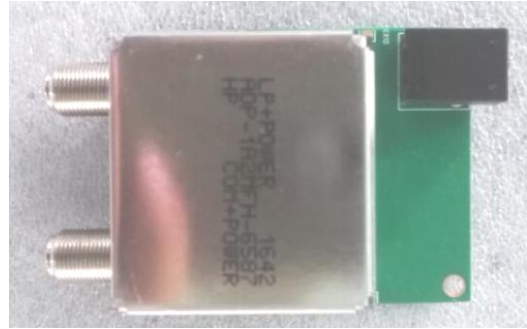


Product:

G-Hn双工器

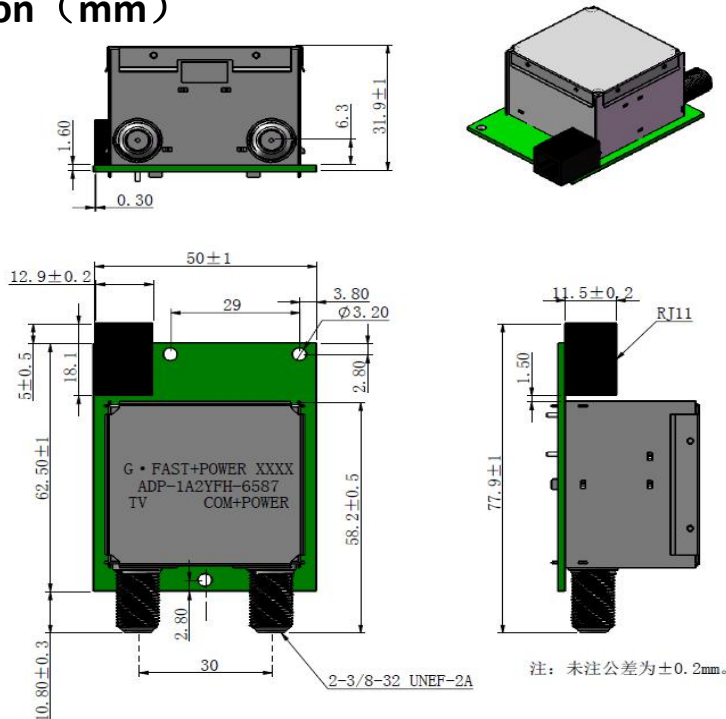
ADP-1A2YFH-6587 Appearance:



Specification

Low Pass Frequency	0.01~65MHz
High Pass Frequency	87~1000MHz
Insertion Loss	≤1.1dB (at 87~500MHz) ≤1.5dB (at 500~1000MHz)
Return Loss	≥6dB (at 0.3~65MHz) ≥16dB (at 87~1000MHz)
Stopband Attenuation	TYP:≥50 dB
In/output Impedance	Cable Port(75Ω)、RJ11 Port(100Ω)
Through current	0.5A (Max1A)

Dimension (mm)



注：未注公差为±0.2mm。