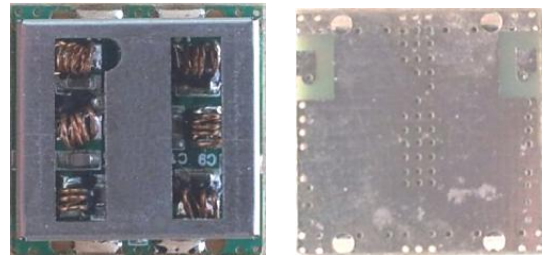


Product:

LC产品

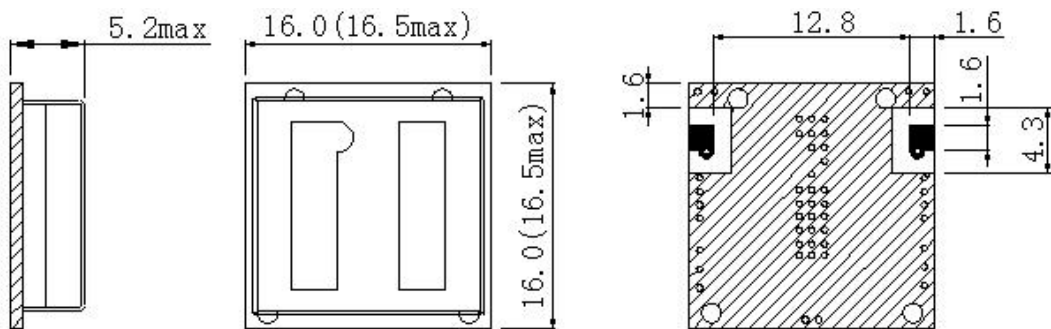
LCF790L822A Appearance:



Specification

Frequency Range	0.3~1500MHz
Insertion Loss	$\leq 3.8\text{dB}$ (at 0.3~780MHz) $\leq 5.5\text{dB}$ (at 780~790MHz)
Return Loss	TYP: $\geq 16\text{ dB}$
Stopband Attenuation	7.5dB (at 796MHz) 12.0dB (at 801MHz) 45dB (at 822~1500MHz)
In/output Impedance	75 Ω

Dimension (mm)



■ I/O PORT 输入/输出

▨ GROUND 接地

TOLERANCES UNLESS
OTHERWISE SPECIFIED

未注公差: ± 0.2

Unit 单位: mm