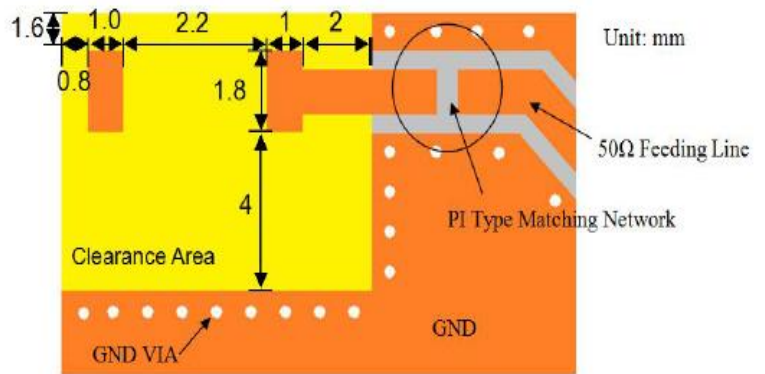
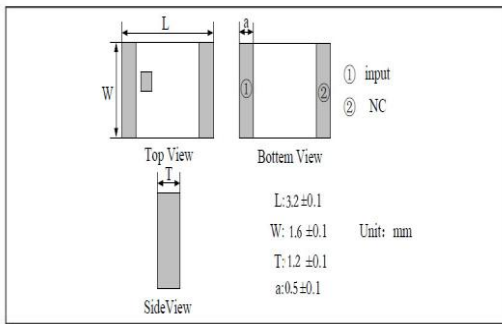


**Product** **LA31H2450-A35**

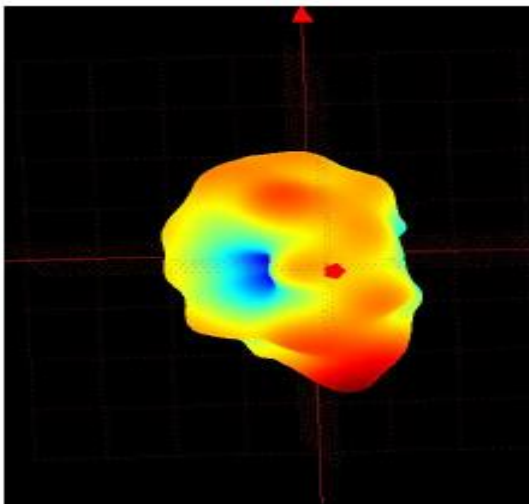
**Specification**

<b>Frequency Range</b>	2400MHz~2500MHz
<b>V.S.W.R</b>	≤2.0
<b>Impedance</b>	50Ω
<b>Gain</b>	5.19dBi
<b>Azimuth</b>	Omni-directional
<b>Polarization</b>	Linear
<b>Impedance</b>	50 Ω
<b>Azimuth Beam width</b>	Omni-directional

**Dimension (mm)**



**Performance**



**Test Graph**

