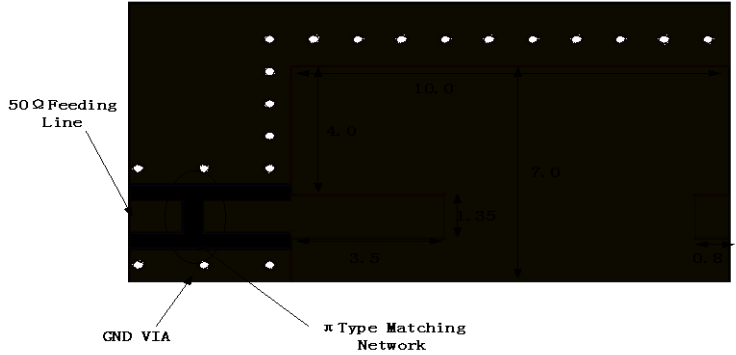
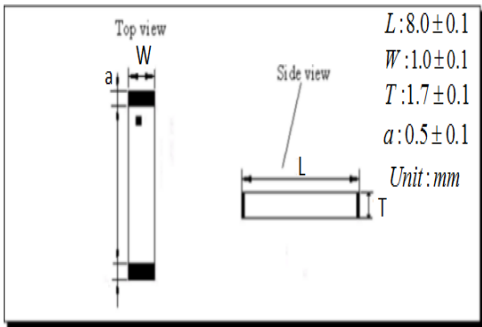


Product LA8010H1575-A42

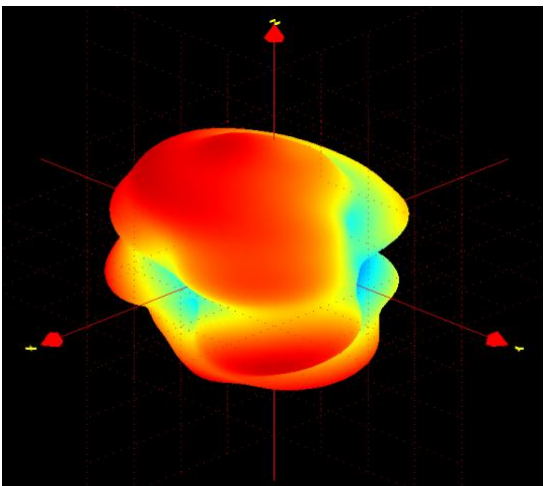
Specification

Frequency Range	1550MHz~1600MHz
V.S.W.R	≤2.0
Impedance	50Ω
Gain	1.85dBi
Azimuth	Omni-directional
Polarization	Linear
Impedance	50 Ω
Azimuth Beam width	Omni-directional

Dimension (mm)



Performance



Test Graph

