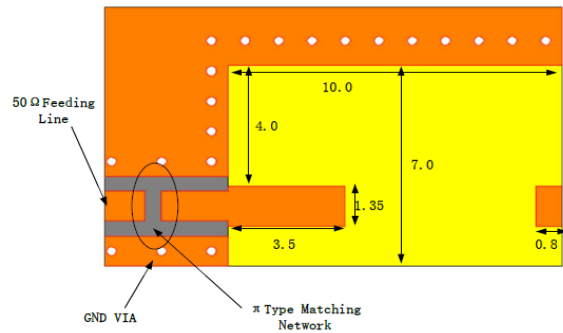
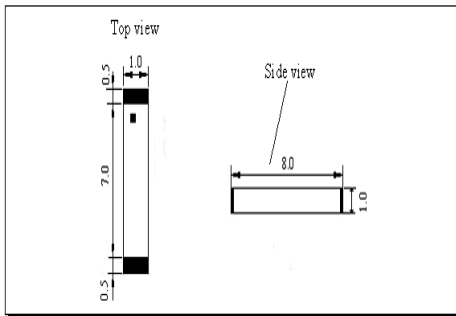


Product **LA8010H2450-A19**

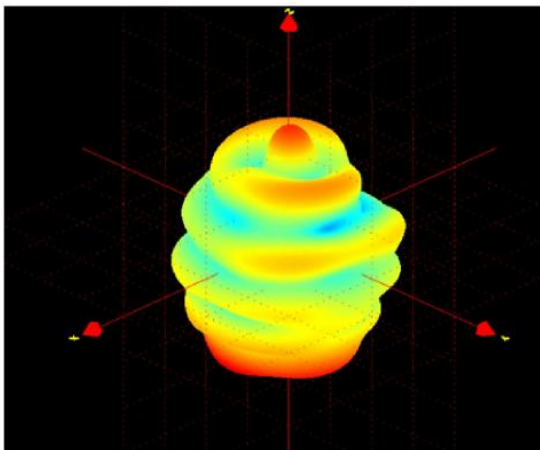
Specification

| | |
|---------------------------|------------------|
| Frequency Range | 2370MHz~2530MHz |
| V.S.W.R | ≤2.0 |
| Impedance | 50Ω |
| Gain | 7.29dBi |
| Azimuth | Omni-directional |
| Polarization | Linear |
| Impedance | 50 Ω |
| Azimuth Beam width | Omni-directional |

Dimension (mm)



Performance



Test Graph

