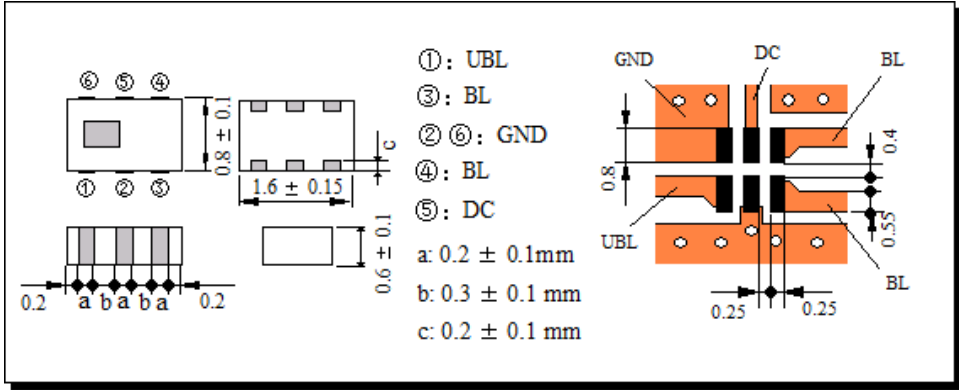


Product: LBF18M2450H1512-M32

Specification

Frequency Range	2400MHz~2500MHz
Insertion Loss	≤2.1dB
Unbalance Impedance	50Ω
Balance Impedance	nRF51822 & nRF51422 Chipset
V.S.W.R	≤ 2.0
Attenuation	≥20dB (4800-5000 MHz)
Phase difference	180±5 deg

Dimension (mm)



Test Graph

