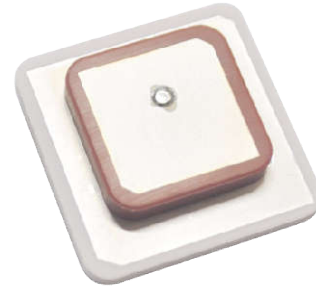


Product:

GGL2-36H325H4-JHY05

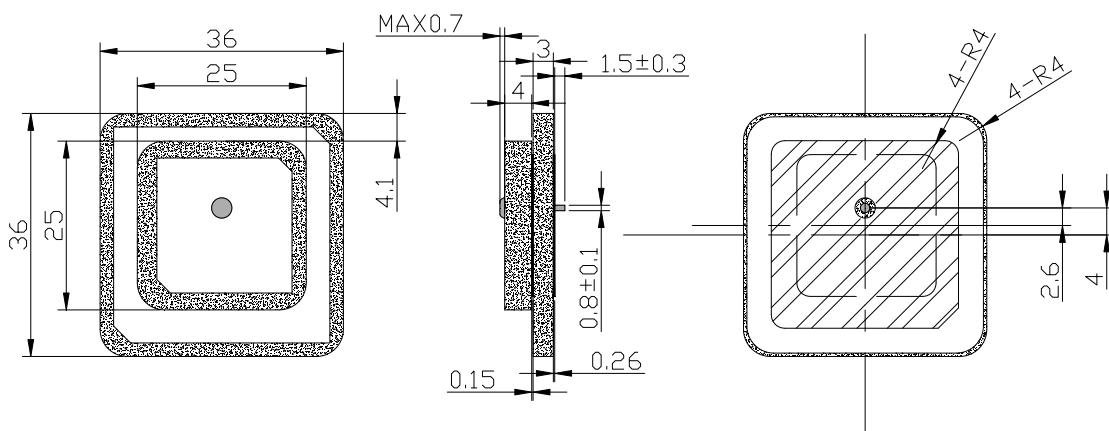
Appearance:



Specification

Frequency Range	GPS:L1, L2 GLONASS:G1
Gain	3dBi @Zenith
V.S.W.R	1.5:1
Axial Ratio	L2:≤5.0 L1,G1:≤10.0
Impedence	50 ohm
Polarization	RHCP

Dimension (mm)



tolerance ± 0.2