

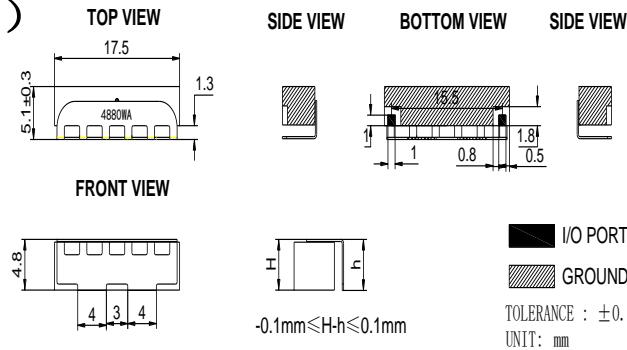
Product

DFN4880W160FA

Specification

Center Frequency[fo]	4880MHz
Bandwidth[BW]	±80.0MHz
Insertion Loss in BW	3.5 dB max.
Ripple in BW	1.5 dB max.
VSWR in BW	1.5:1max.
Attenuation [Absolute Value]	50.0 min. @ 0~2700 MHz 30.0 min. @ 2700~4690 MHz 8.0 min. @ 4690~4780 MHz 8.0 min. @ 4980~5070 MHz 30.0 min. @ 5070~5850 MHz
In/Out Impedance	50Ω
Input Power	1 w max.
Operation Temperature	-40°C ~ +85 °C

Dimension (mm)



TEST GRAPH

