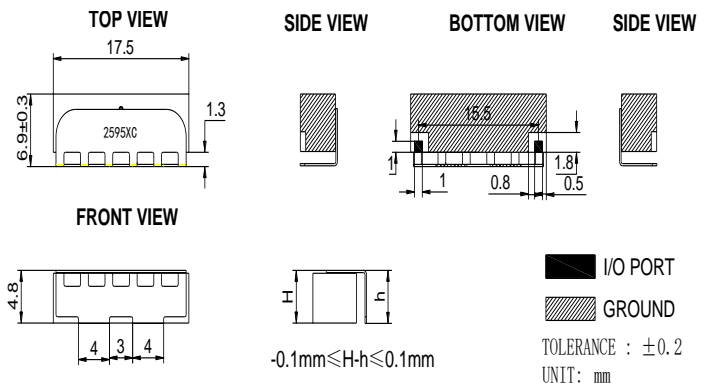


**Product** **DFN2595X160FC**

**Specification**

<b>Center Frequency[fo]</b>	2595MHz	
<b>Bandwidth[BW]</b>	±80.0MHz	
<b>Insertion Loss in BW</b>	2.5 dB max.	
<b>Ripple in BW</b>	1.5 dB max.	
<b>VSWR in BW</b>	1.42:1max.	
<b>Attenuation [Absolute Value]</b>	45.0 min. @ 0~960 MHz 40.0 min. @ 2300~2400 MHz 10.0 min. @ 2483.5~2495 MHz 35.0 min. @ 3300~3800 MHz	40.0 min. @ 1000~2170 MHz 43.0 min. @ 2400~2483.5 MHz 7.0 min. @ 2695~2725 MHz 12.0 min. @ 4800~4960 MHz
<b>In/Out Impedance</b>	50Ω	
<b>Input Power</b>	2 w max.	
<b>Operation Temperature</b>	-40°C ~ +85 °C	

**Dimension (mm)**



**TEST GRAPH**

