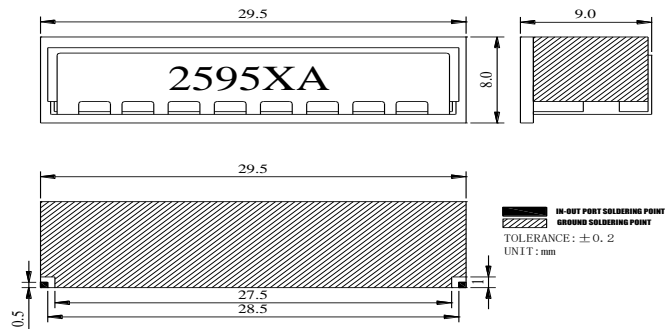


**Product** **DFM2595X160HA**

**Specification**

<b>Center Frequency[fo]</b>	2595MHz	
<b>Bandwidth[BW]</b>	± 80MHz	
<b>Insertion Loss in BW</b>	2.6 dB max.	
<b>Ripple in BW</b>	/	
<b>VSWR in BW</b>	1.42:1max.	
<b>Attenuation [Absolute Value]</b>	25.0 min. @ 1805~1880 MHz 30.0 min. @ 2010~2170 MHz 45.0 min. @ 2300~2400 MHz 15.0 min. @ 2483.5~2495 MHz 30.0 min. @ 3300~3600 MHz 25.0 min. @ 4900~5091 MHz 25.0 min. @ 5725~5850 MHz	25.0 min. @ 1880~1990 MHz 45.0 min. @ 2200~2300 MHz 45.0 min. @ 2400~2483.5 MHz 15.0 min. @ 2695~3300 MHz 15.0 min. @ 3600~4900 MHz 25.0 min. @ 5150~5350 MHz
<b>In/Out Impedance</b>	50Ω	
<b>Input Power</b>	2 w max.	
<b>Operation Temperature</b>	-40°C ~ +95 °C	

**Dimension (mm)**



**TEST GRAPH**

