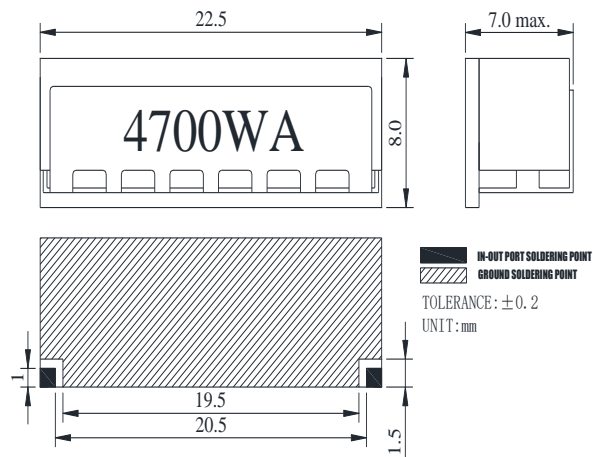


Product **DFM4700W200GA**

Specification

| | |
|-------------------------------------|--|
| Center Frequency[fo] | 4700MHz |
| Bandwidth[BW] | ± 100.0MHz |
| Insertion Loss in BW | 2.7 dB max. |
| Ripple in BW | 1.5 dB max. |
| VSWR in BW | 1.5:1max. |
| Attenuation [Absolute Value] | 40.0 min. @ 2400~2483.5 MHz 10.0 min. @ 2483.5~4580 MHz 10.0 min. @ 4820~5150 MHz 20.0 min. @ 5150~5850 MHz |
| In/Out Impedance | 50Ω |
| Input Power | 4 w max. |
| Operation Temperature | -40°C ~ +85 °C |

Dimension (mm)



TEST GRAPH

