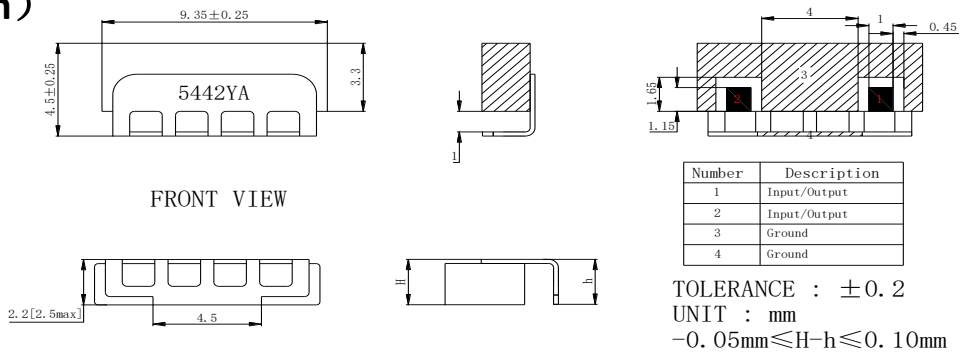


Product DFN5442Y585CA

Specification

Center Frequency[fo]	5442.5MHz
Bandwidth[BW]	$\pm 292.5\text{MHz}$
Insertion Loss in BW	3.0 dB max.
Ripple in BW	2.5 dB max.
VSWR in BW	1.42: 1max.
Attenuation [Absolute Value]	30 min. @1000~4900 MHz 25 min. @5800~5895 MHz 40 min. @5945~6105 MHz 40 min. @6200~7150 MHz 30 min. @7151~9300 MHz TBD @9300~15000 MHz
In/Out Impedance	50Ω
Input Power	1 w max.
Operation Temperature	$-40^{\circ}\text{C} \sim +85^{\circ}\text{C}$

Dimension (mm)



TEST GRAPH

