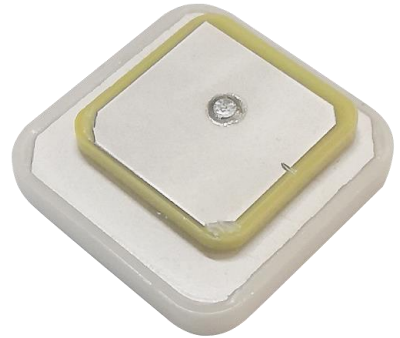


Product

SPATL1154BL5254_J7001

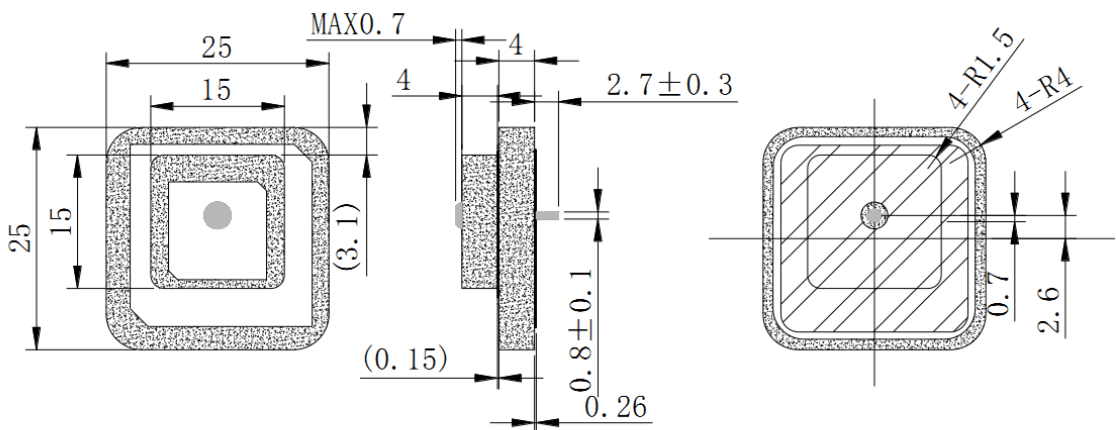
Appearance



Specification

Frequency Range	GPS:L1, L5
V.S.W.R	≤2.0
Axial Ratio	≤5.0
Impedence	50ohm
Polarization	Right-hand circular polarization
Gain	3.5dBi @Zenith (L1频段) 2.0dBi @Zenith (L5频段)

Dimension (mm)



tolerance ±0.2