

Product

SPATL1182BL5254\_J7002

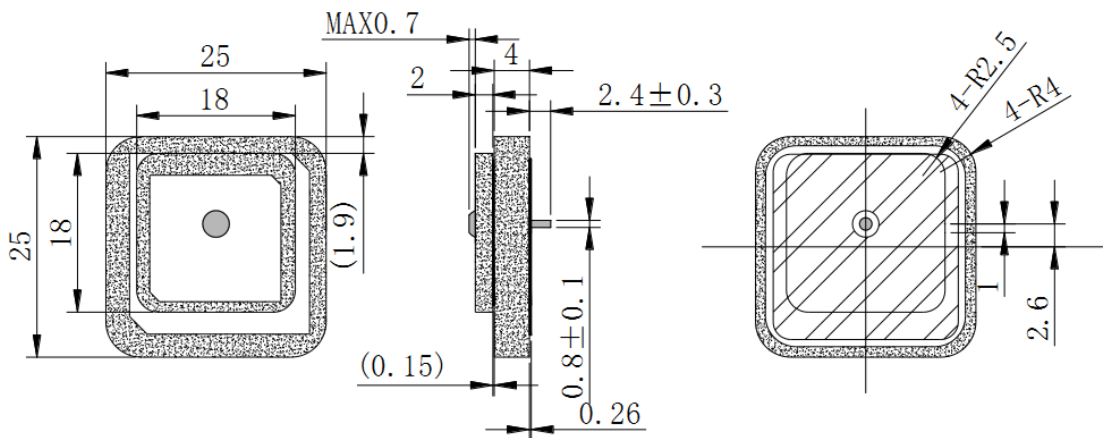
Appearance



### Specification

Frequency Range	GPS:L1, L5
V.S.W.R	$\leq 2.0$
Axial Ratio	$\leq 5.0$
Impedence	50ohm
Polarization	Right-hand circular polarization
Gain	2.5dBi @Zenith

Dimension (mm)



tolerance  $\pm 0.2$