

Product

SPATL1252BL5363_JJH80

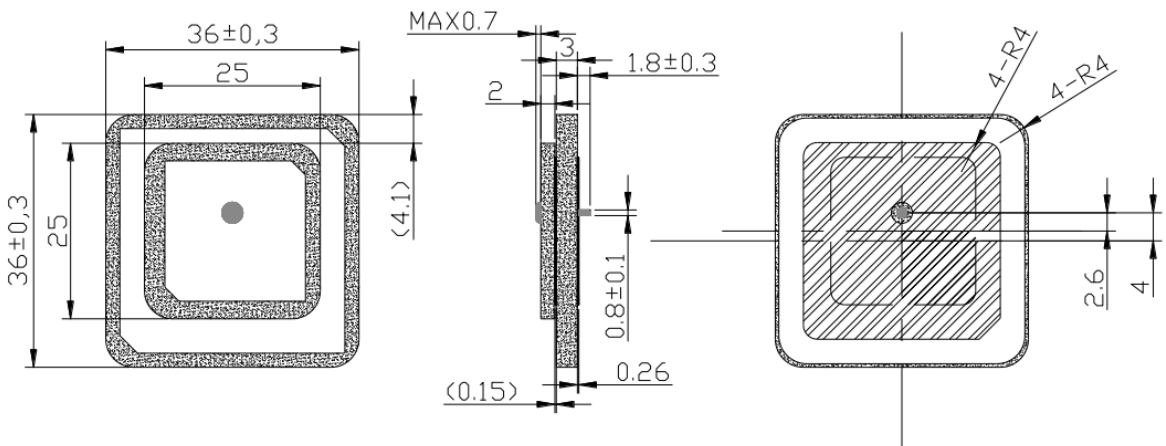
Appearance



Specification

Frequency Range	GPS:L1, L5
V.S.W.R	≤2.0
Axial Ratio	≤5.0
Impedence	50ohm
Polarization	Right-hand circular polarization
Gain	0.5dBi @Zenith (L1频段) -3dBi @Zenith (L5频段)

Dimension (mm)



tolerance ± 0.2