

Product

GGL2-36H325H4-JHY05

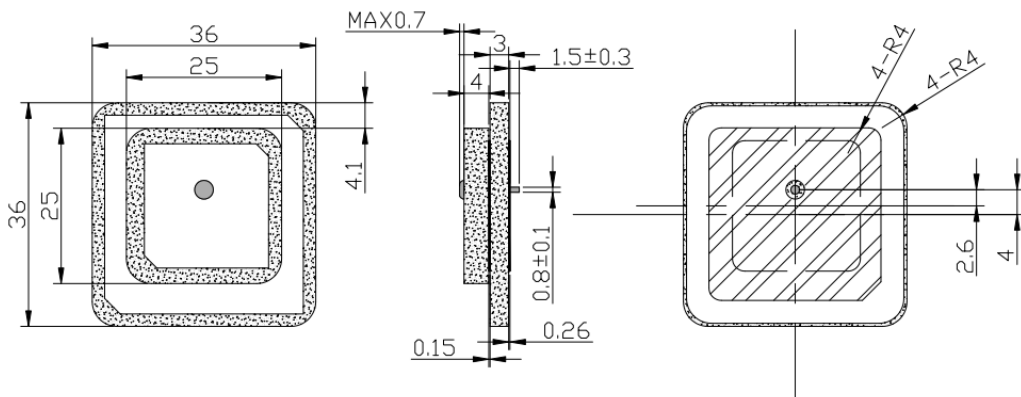
Appearance



### Specification

Frequency Range	GPS:L1, L2 GLONASS:G1
V.S.W.R	≤1.5
Axial Ratio	≤5.0 (L2频段) ≤10.0 (L1G1频段)
Impedence	50ohm
Polarization	Right-hand circular polarization
Gain	3.0dBi @Zenith

Dimension (mm)



tolerance ±0.2