

Product

SPATL1364BL5366_S150-01

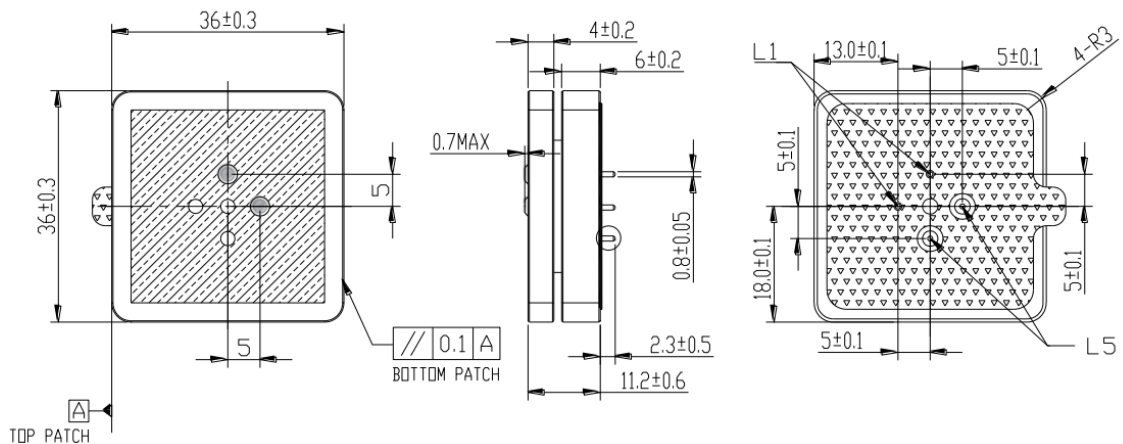
Appearance



Specification

| | |
|-----------------|---|
| Frequency Range | BD:B1 GPS:L1, L5 GLONASS:G1 |
| V.S.W.R | ≤2.0 |
| Axial Ratio | ≤3.0 |
| Impedence | 50ohm |
| Polarization | Right-hand circular polarization |
| Gain | 3.0dBi @Zenith (B1L1G1频段) 1.5dBi @Zenith (L5频段) |

Dimension (mm)



Unit:mm Tolerance:±0.2