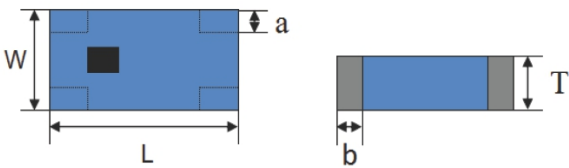


**Product LA31H2450-A44**

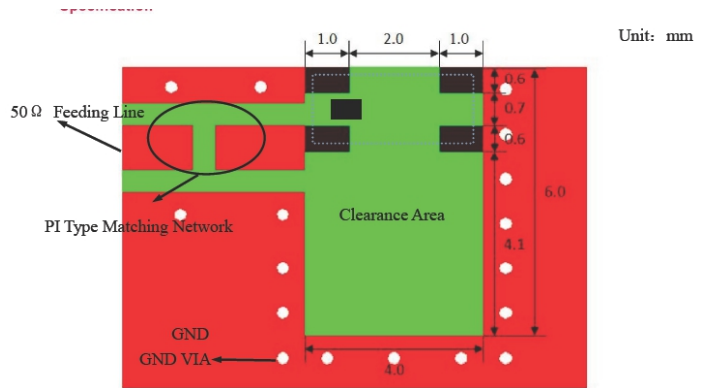
**Specification**

Frequency Range	2400MHz~2500MHz
V.S.W.R	≤2.0
Impedance	50Ω
Gain	3.84dBi
Azimuth	Omni-directional
Polarization	Linear
Impedance	50 Ω
Azimuth Beam width	Omni-directional

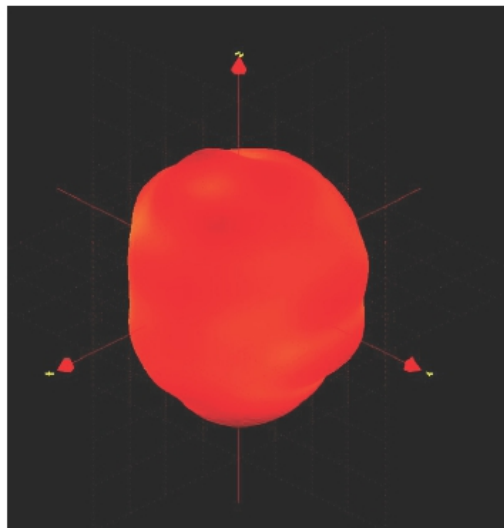
**Dimension (mm)**



L: 3.2 +/- 0.2  
 W: 1.6 +/- 0.2  
 T: 1.2 +/- 0.2  
 a: 0.3 +/- 0.2  
 b: 0.5 +/- 0.2



**Performance**



**Test Graph**

