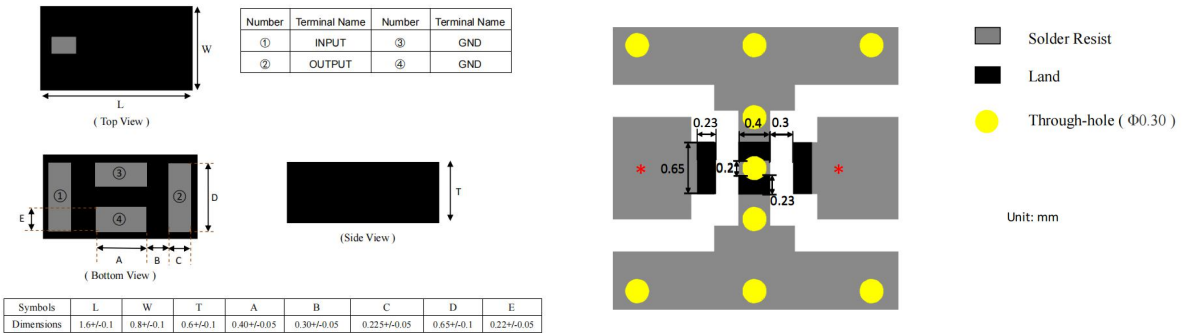


Product: LF18L0960H119-L75/R

Specification

Center Frequency	830MHz
Insertion Loss	≤0.9dB
Band Width	699~960MHz
Return Loss	≥9.5 dB
Attenuation	≥20dB (1398~ 1920MHz) ≥48dB (2097~ 2880MHz)
In/Output Impedance	50 Ω

Dimension (mm)



Test Graph

