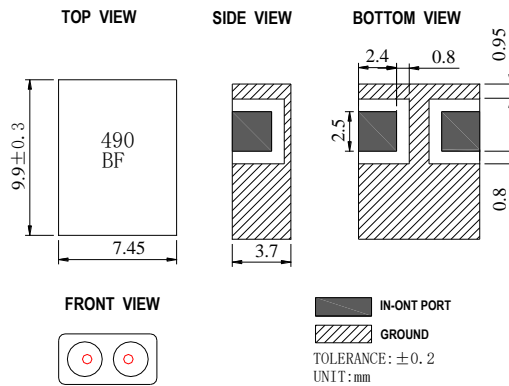


Product**DFC490B40AF**

Specification

Center Frequency[fo]	490MHz
Bandwidth[BW]	± 20.0 MHz
Insertion Loss in BW	2.0 dB max.
Ripple in BW	1.0 dB max.
VSWR in BW	2.0:1max.
Attenuation [Absolute Value]	10.0 min. @ fo +80 MHz 20.0 min. @ fo -80 MHz 40.0 min. @ 980 MHz 20.0 min. @ 1500 MHz
In/Out Impedance	50 Ω
Input Power	1 w max.
Operation Temperature	-40 $^{\circ}$ C ~ +85 $^{\circ}$ C

Dimension (mm)



TEST GRAPH

